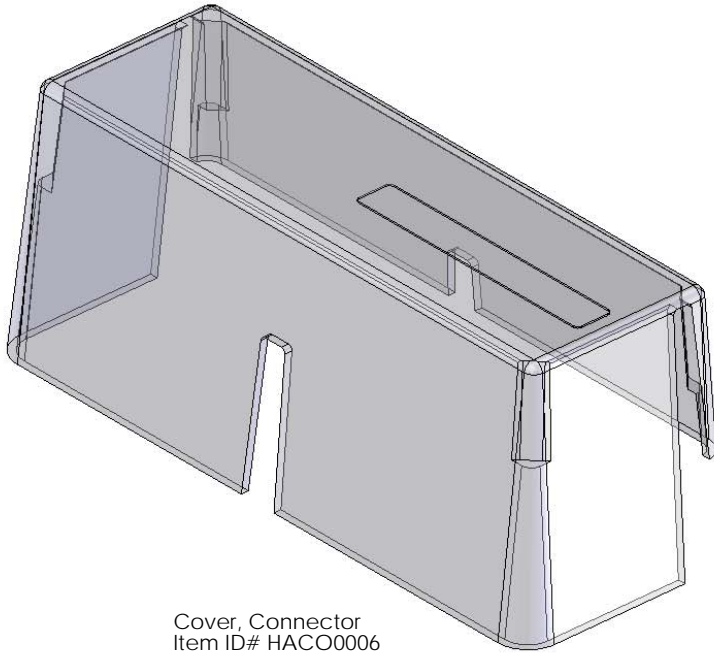
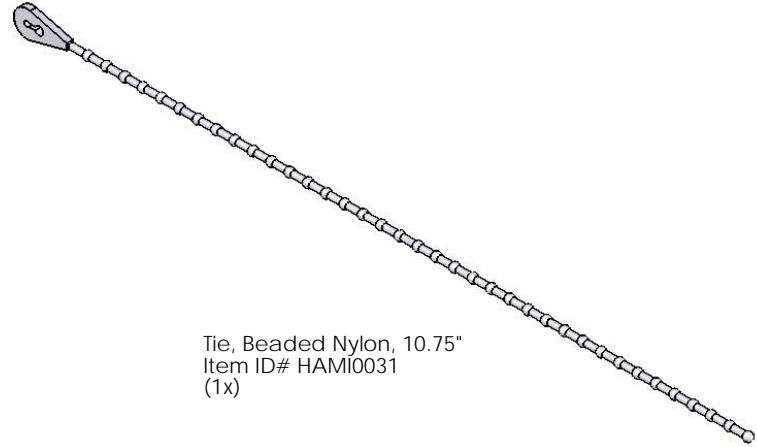


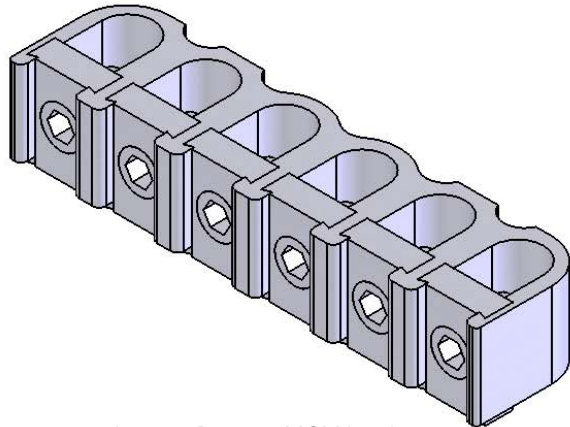
REVISIONS			
REV.	DESCRIPTION	DATE	APPROVED



Cover, Connector
Item ID# HACO0006
(1x)



Tie, Beaded Nylon, 10.75"
Item ID# HAMI0031
(1x)



L6350-6 Port 350 MCM Lay-In
Item ID# HACO0001
(1x)



Bolt, PH, SS, 1/4-20x.50 (Phillips)
Item ID# HABO0053
(2x)

Nordic Fiberglass, Inc.

21415 US Hwy 75 NW, Warren, MN 56762
www.nordicfiberglass.com
218-745-5095 ph. --- 218-745-4990 fax

L6350 Kit For PSPF

Customer Name: N/A		
DIMENSIONS ARE IN INCHES		
TOLERANCES: ANGLES $\pm 1^\circ$		
FRACTIONAL $\pm 1/2$		
ONE PLACE DECIMAL $\pm .060$		
TWO PLACE DECIMAL $\pm .030$		
THREE PLACE DECIMAL $\pm .015$		
MATERIAL		
	NAME	DATE
DRAWN	R.L.J.	08/26/10
CHECKED	---	--/--

SIZE	ITEM ID:	REV.
A	03506.99	REL-01
SCALE:1:2	SHEET 1 OF 1	

PROPRIETARY AND CONFIDENTIAL

THE INFORMATION CONTAINED IN THIS DRAWING IS THE SOLE PROPERTY OF NORDIC FIBERGLASS, INC. ANY REPRODUCTION IN PART OR AS A WHOLE WITHOUT THE WRITTEN PERMISSION OF NORDIC FIBERGLASS, INC. IS PROHIBITED.