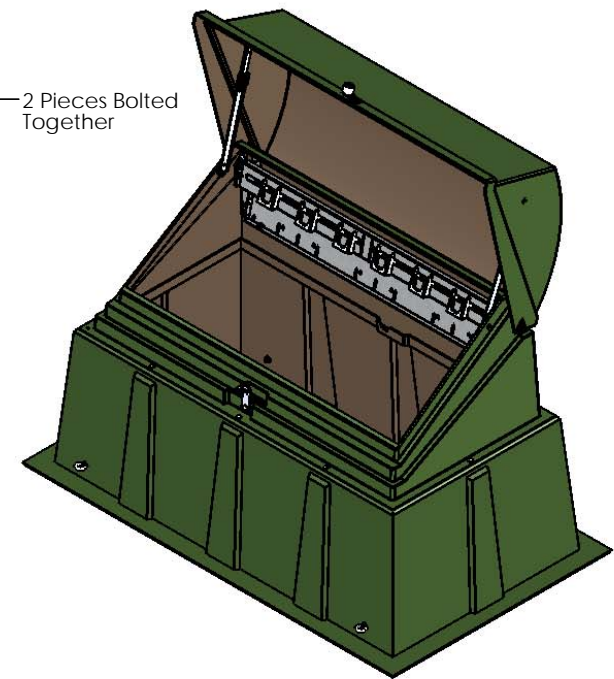
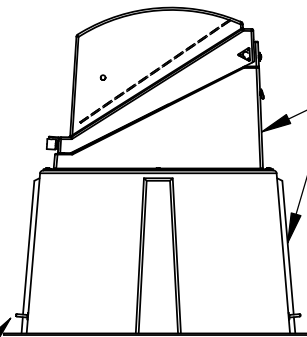
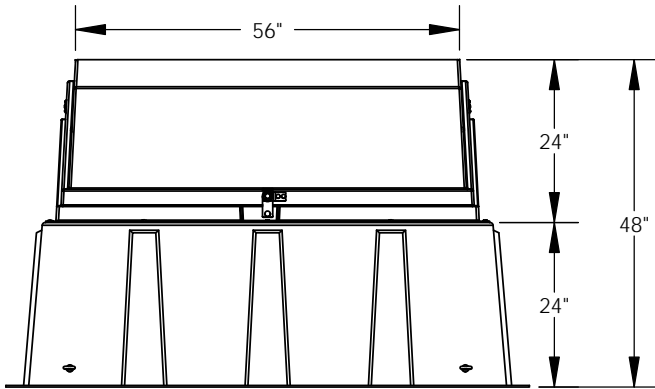
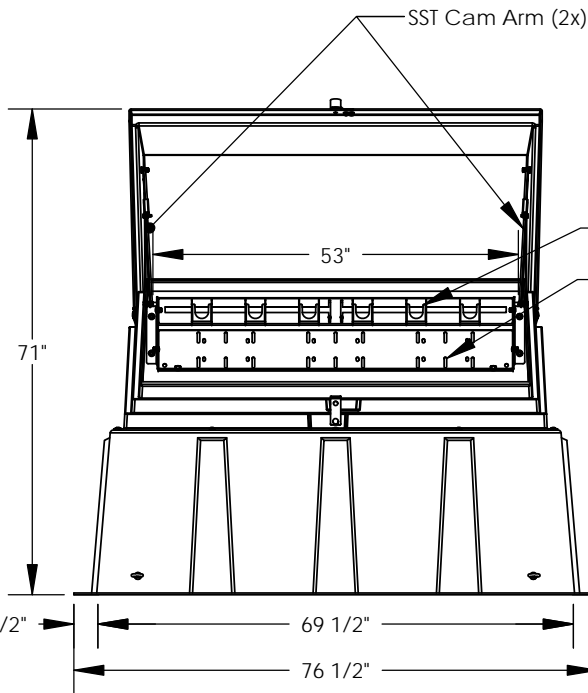


REVISIONS			
REV.	DESCRIPTION	DATE	APPROVED



2 Pieces Bolted Together

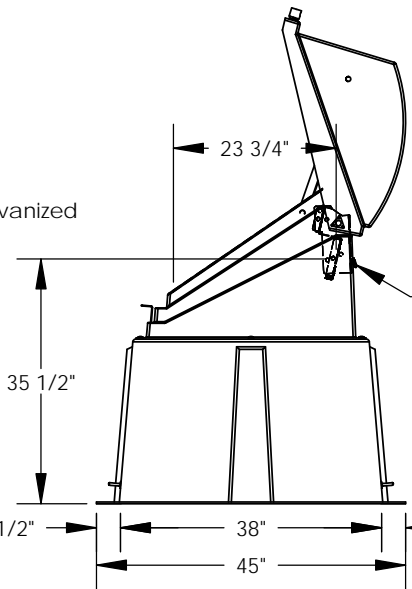
ZN Coated Eyebolts
4x



Parking Stand

MP-152
Hot Dipped Galvanized
Mounting Board
0°, 12°, 20°

SST Cam Arm (2x)



Locating Flat Washer

3 1/2" 38" 3 1/2"

Nordic Fiberglass, Inc.

21415 US Hwy 75 NW, Warren, MN 56762
www.nordicfiberglass.com
218-745-5095 ph. --- 218-745-4990 fax

ND-2562448-MG-152-X-X

PROPRIETARY AND CONFIDENTIAL
THE INFORMATION CONTAINED IN THIS DRAWING IS THE SOLE PROPERTY OF NORDIC FIBERGLASS, INC. ANY REPRODUCTION IN PART OR AS A WHOLE WITHOUT THE WRITTEN PERMISSION OF NORDIC FIBERGLASS, INC. IS PROHIBITED.

Customer Name: N/A		
DIMENSIONS ARE IN INCHES TOLERANCES: ANGLES ± 1° FRACTIONAL ± 1/2 ONE PLACE DECIMAL ±.060 TWO PLACE DECIMAL ±.030 THREE PLACE DECIMAL ±.015		
MATERIAL		
DRAWN	R.L.J.	04/28/10
CHECKED	---	--/--/--

SIZE	ITEM ID:	REV.
A	04120.00	REL-01
SCALE:1:32	WEIGHT:	SHEET 1 OF 1