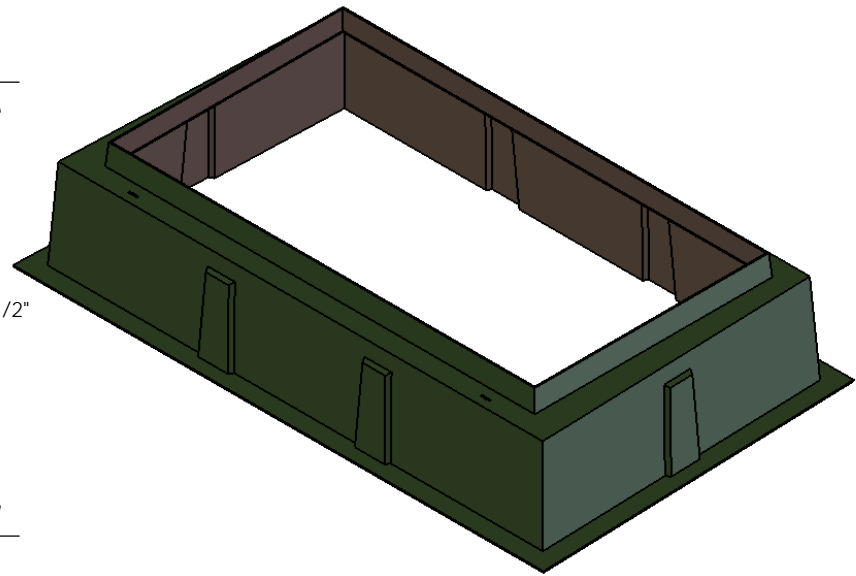
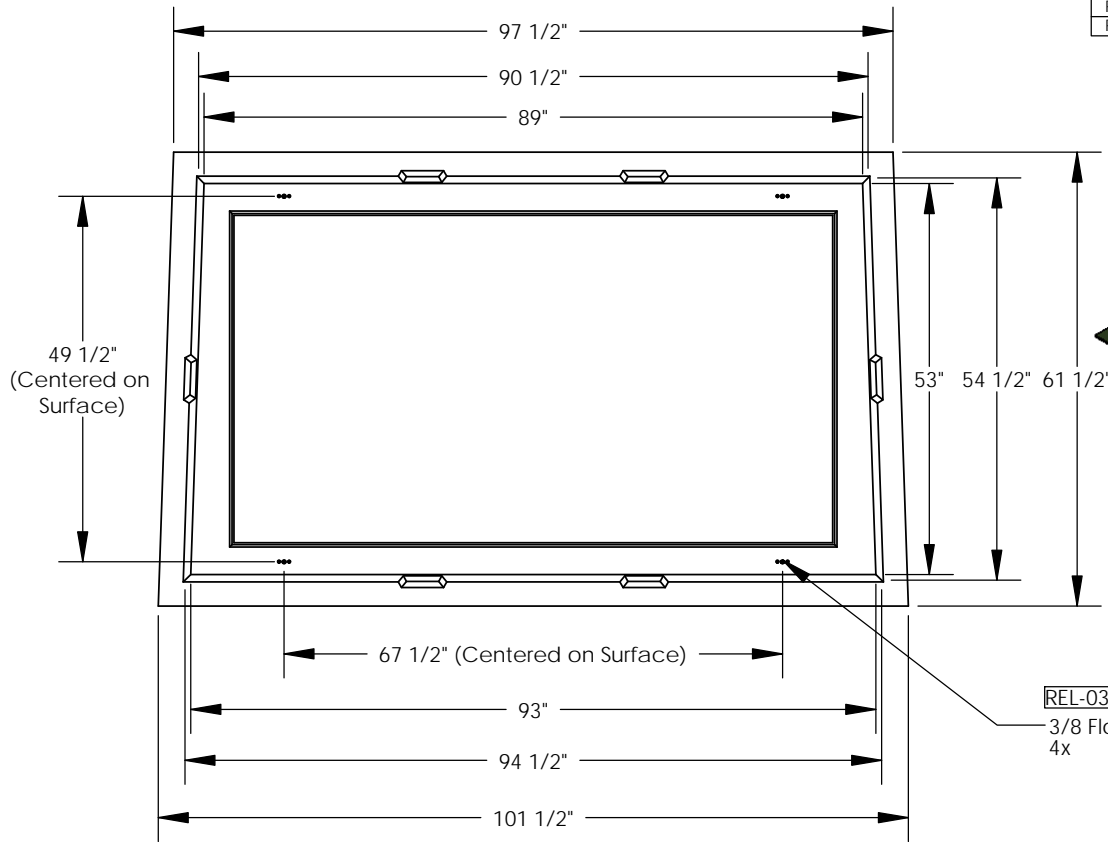
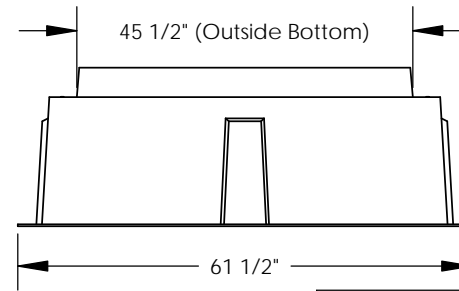
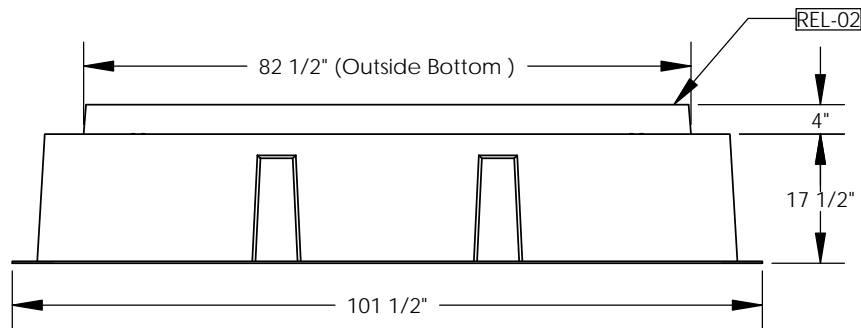


REVISIONS			
REV.	DESCRIPTION	DATE	APPROVED
REL-02	Changed Upturn to Square Opening	3/9/2007	R.L.J.
REL-03	Updated Floating Nut Location From Upturn (6) to Top Surface (4)	8/3/2016	R.L.J.



REL-03
3/8 Floating Nuts
4x



Includes:
(4) 3/8-16x2.0 SST Bolts
(4) 3/8 SST Flat Washers

Nordic Fiberglass, Inc.

21415 US Hwy 75 NW, Warren, MN 56762
www.nordicfiberglass.com
218-745-5095 ph. --- 218-745-4990 fax

Customer Name: N/A		
DIMENSIONS ARE IN INCHES		
TOLERANCES: ANGLES $\pm 1^\circ$		
FRACTIONAL $\pm 1/32$		
ONE PLACE DECIMAL $\pm .060$		
TWO PLACE DECIMAL $\pm .030$		
THREE PLACE DECIMAL $\pm .015$		
DRAWN	NAME	DATE
CHECKED	R.L.J.	03/09/07
		--/--/--

ND-450-MG-18EXT	
SIZE	ITEM ID:
A	02990.13
SCALE:1:32	REV. REL-03
SHEET 1 OF 1	

PROPRIETARY AND CONFIDENTIAL
THE INFORMATION CONTAINED IN THIS DRAWING IS THE SOLE PROPERTY OF NORDIC FIBERGLASS, INC. ANY REPRODUCTION IN PART OR AS A WHOLE WITHOUT THE WRITTEN PERMISSION OF NORDIC FIBERGLASS, INC. IS PROHIBITED.