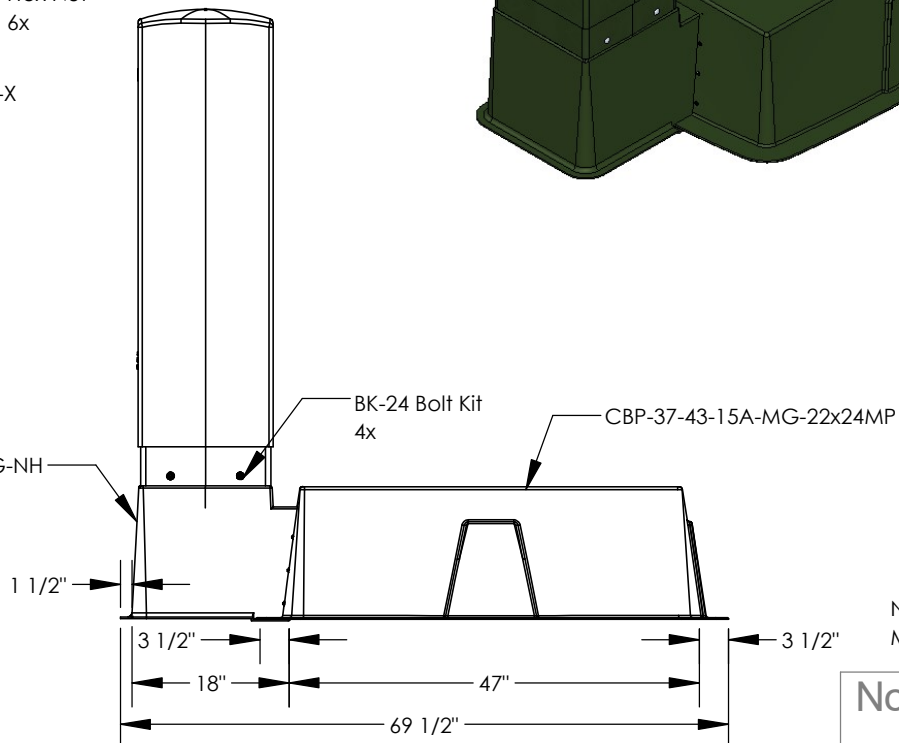
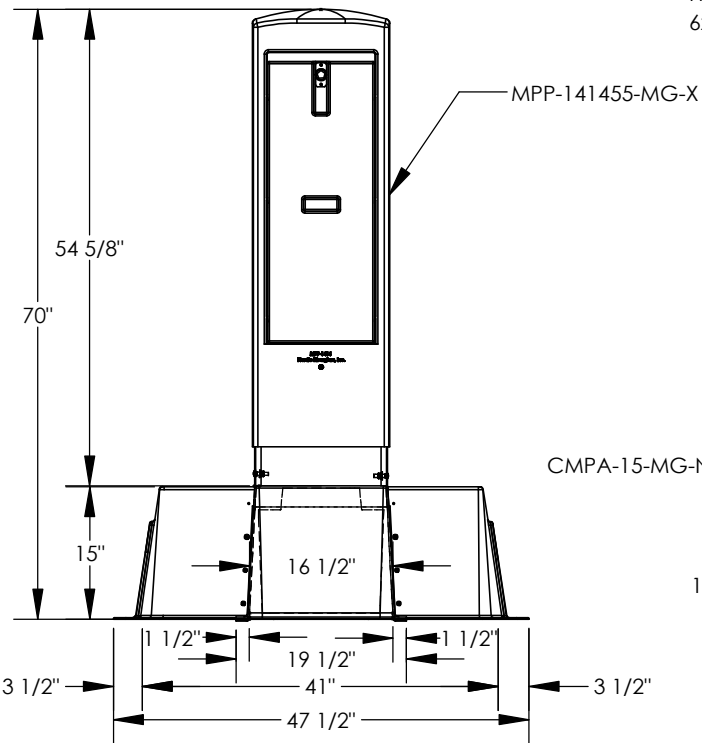
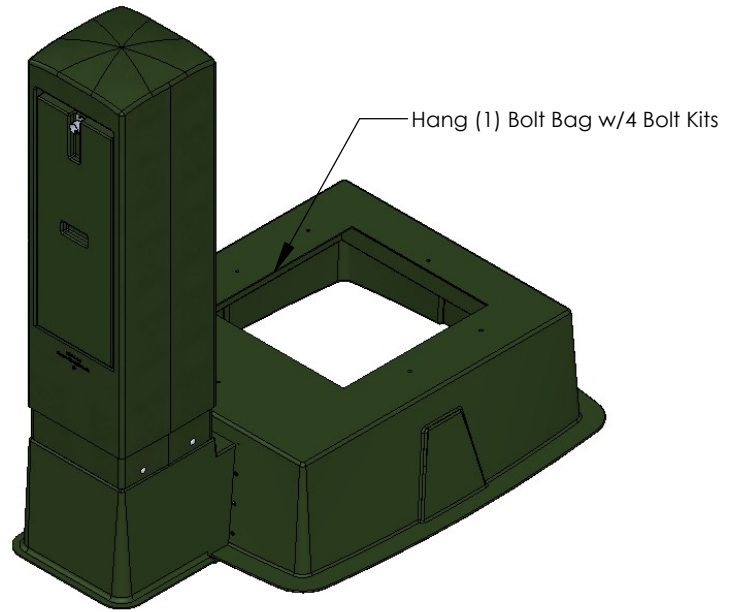
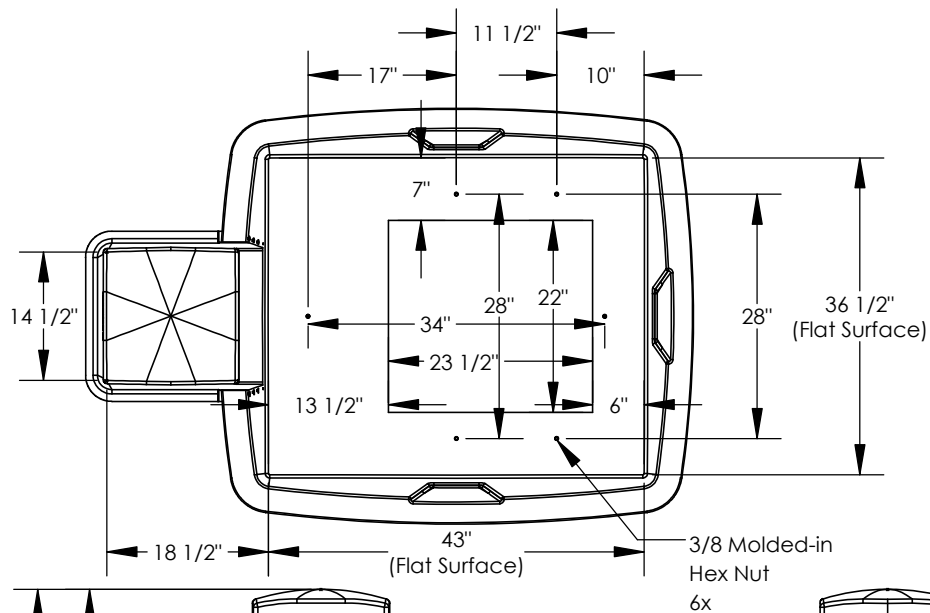


REVISIONS			
REV.	DESCRIPTION	DATE	APPROVED



- Includes (4) BK-24 Bolt Kits (Shipped with CBP-37-43-15A-MG-22x24-MP)
- BK-24 Bolt Kit Includes:
 - (1) 3/8-16x1.5 SST CH Bolt
 - (1) 3/8 SST Flat Washer
 - (1) 3/8 SST Lock Washer
 - (1) 3/8 SST Hex Nut

NOTE:
MPP-141455-MG-X Shipped Separate

Nordic Fiberglass, Inc.

21415 US Hwy 75 NW, Warren, MN 56762
www.nordicfiberglass.com
218-745-5095 ph. --- 218-745-4990 fax

CBP-37-43-15A-MP-MG-22x24

PROPRIETARY AND CONFIDENTIAL
THE INFORMATION CONTAINED IN THIS DRAWING IS THE SOLE PROPERTY OF NORDIC FIBERGLASS, INC. ANY REPRODUCTION IN PART OR AS A WHOLE WITHOUT THE WRITTEN PERMISSION OF NORDIC FIBERGLASS, INC. IS PROHIBITED.

Customer Name: N/A		
DIMENSIONS ARE IN INCHES		
TOLERANCES: ANGLES ± 1°		
FRACTIONAL ± 1/32		
ONE PLACE DECIMAL ±.060		
TWO PLACE DECIMAL ±.030		
THREE PLACE DECIMAL ±.015		
MATERIAL		
DRAWN	NAME	DATE
CHECKED	C.T.C.	09/24/20
		--/--

SIZE	ITEM ID:	REV.
A	00816.01	REL-01
SCALE: 1:20	SHEET 1 OF 1	