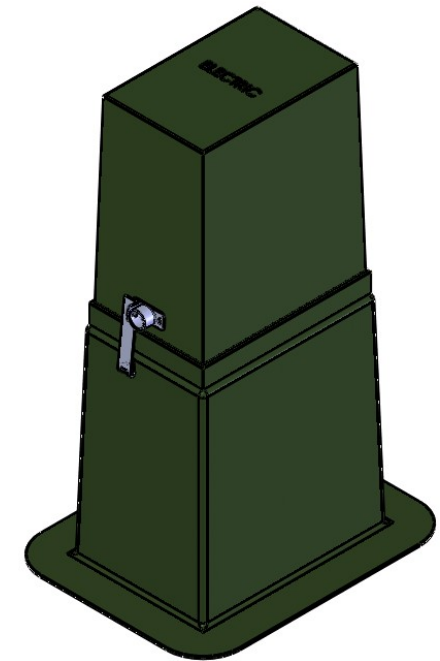
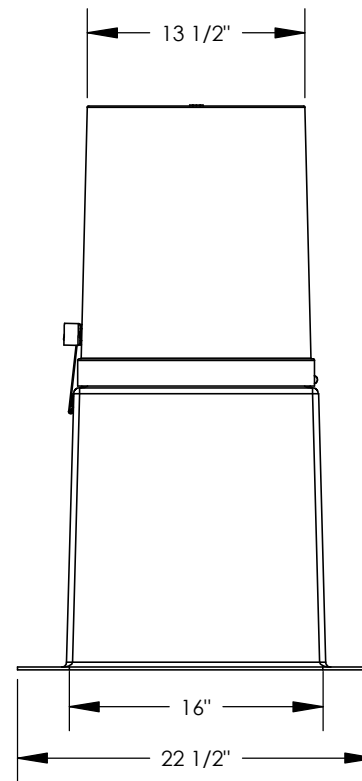
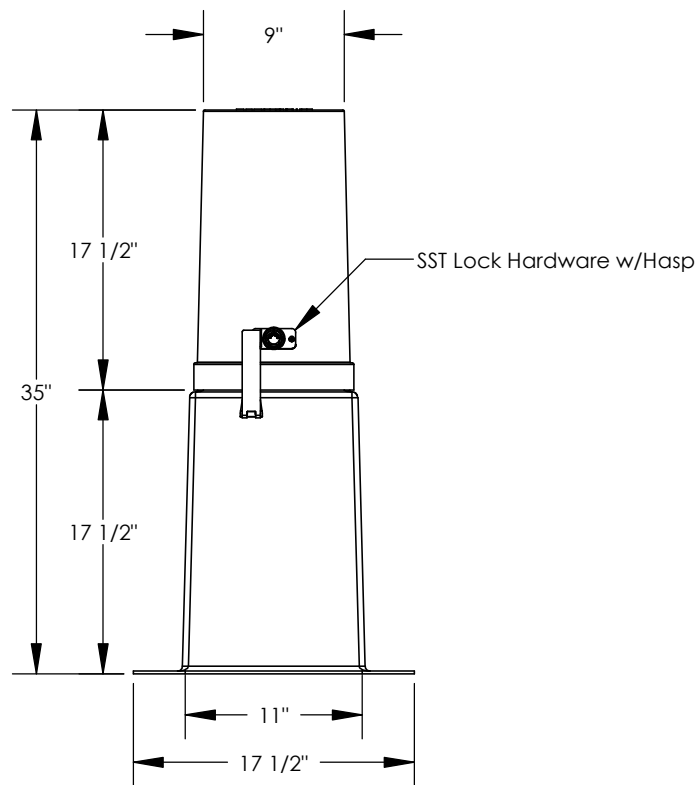


REVISIONS			
REV.	DESCRIPTION	DATE	APPROVED
REL-01		2/1/2006	



**PROPRIETARY AND CONFIDENTIAL**  
 THE INFORMATION CONTAINED IN THIS DRAWING IS THE SOLE PROPERTY OF  
 NORDIC FIBERGLASS, INC. ANY REPRODUCTION IN PART OR AS A WHOLE  
 WITHOUT THE WRITTEN PERMISSION OF NORDIC FIBERGLASS, INC. IS PROHIBITED.

Customer Name: N/A		
DIMENSIONS ARE IN INCHES		
TOLERANCES: ANGLES $\pm 1^\circ$		
FRACTIONAL $\pm 1/32$		
ONE PLACE DECIMAL $\pm .060$		
TWO PLACE DECIMAL $\pm .030$		
THREE PLACE DECIMAL $\pm .015$		
MATERIAL		
DRAWN	NAME	DATE
	P.J.W.	02/01/06
CHECKED	---	--/--

<b>Nordic Fiberglass, Inc.</b>			
21415 US Hwy 75 NW, Warren, MN 56762			
www.nordicfiberglass.com			
218-745-5095 ph. --- 218-745-4990 fax			
PRMC-190-MG			
SIZE	ITEM ID:	REV.	
<b>A</b>	03470.00	<b>REL-01</b>	
SCALE:1:16			SHEET 1 OF 1