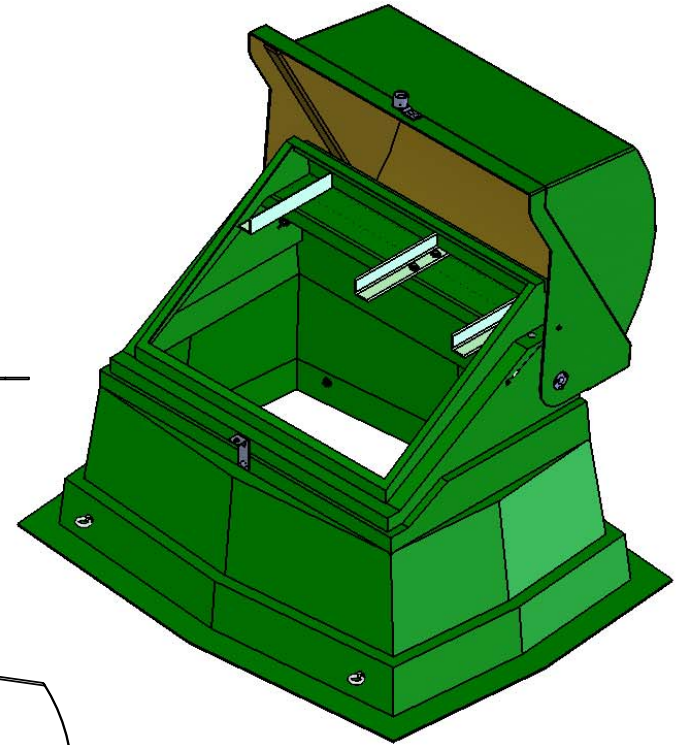
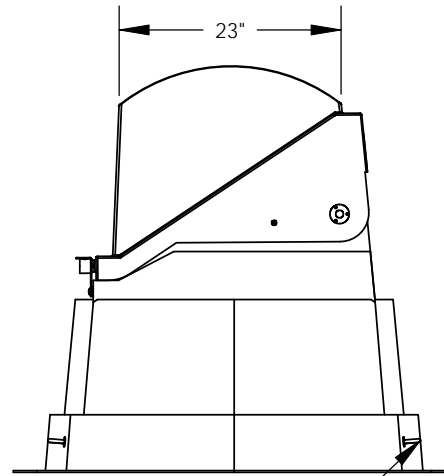
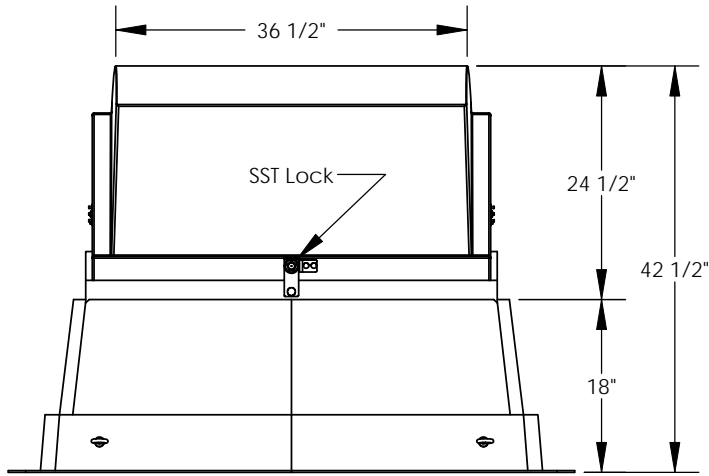
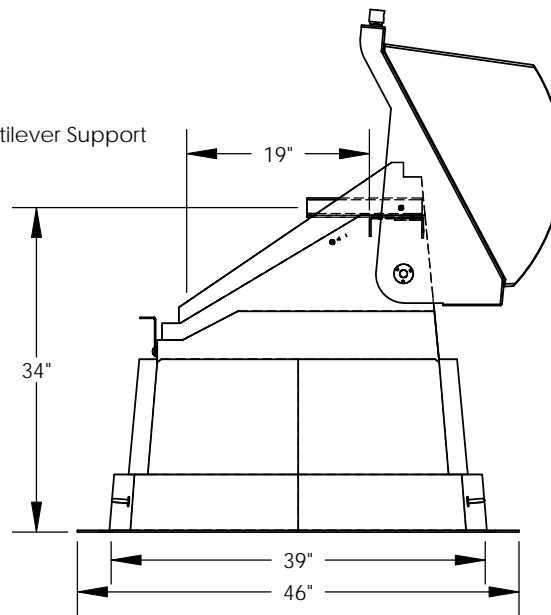
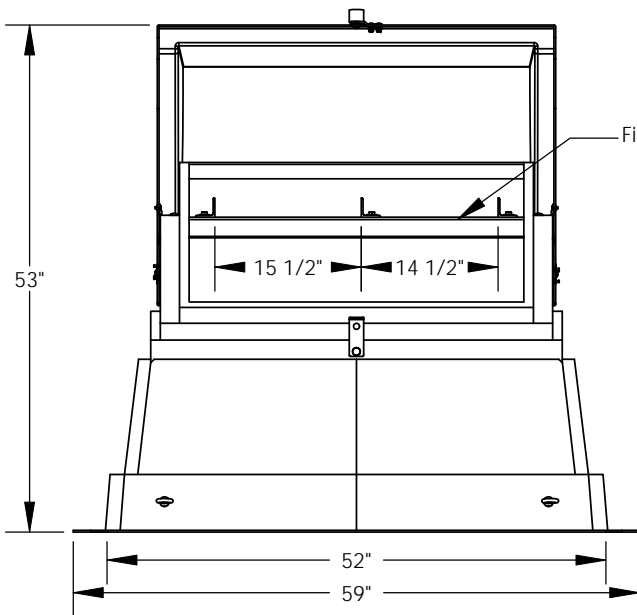


REVISIONS			
REV.	DESCRIPTION	DATE	APPROVED



ZN Coated Eyebolts
4x



Nordic Fiberglass, Inc.
 21415 US Hwy 75 NW, Warren, MN 56762
 www.nordicfiberglass.com
 218-745-5095 ph. --- 218-745-4990 fax

ND-362442-MG-3HDB-X-X

Customer Name: N/A	MATERIAL		SIZE	ITEM ID:	REV.
DIMENSIONS ARE IN INCHES	NAME	DATE	A	04003.10	REL-01
TOLERANCES: ANGLES ± 1°	DRAWN	01/02/08	SCALE:1:20		SHEET 1 OF 1
FRACTIONAL ± 1/32	P.J.W.				
ONE PLACE DECIMAL ±.060	CHECKED	--/--/--			
TWO PLACE DECIMAL ±.030					
THREE PLACE DECIMAL ±.015					

PROPRIETARY AND CONFIDENTIAL
 THE INFORMATION CONTAINED IN THIS DRAWING IS THE SOLE PROPERTY OF NORDIC FIBERGLASS, INC. ANY REPRODUCTION IN PART OR AS A WHOLE WITHOUT THE WRITTEN PERMISSION OF NORDIC FIBERGLASS, INC. IS PROHIBITED.