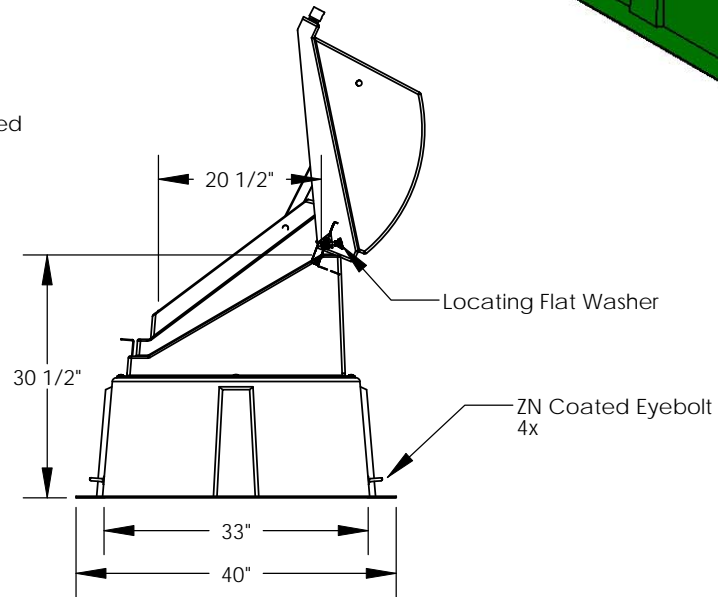
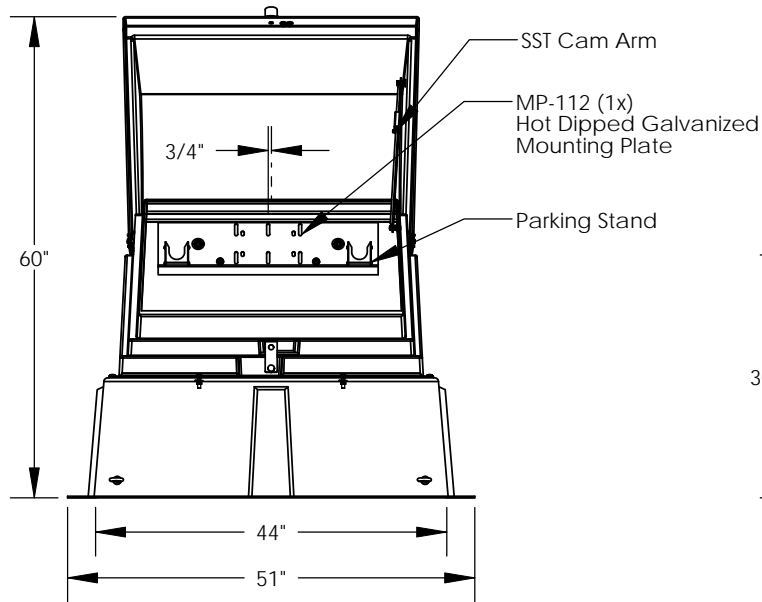
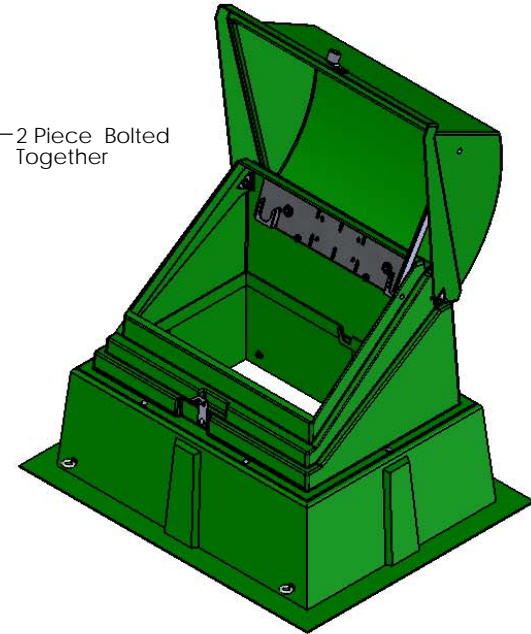
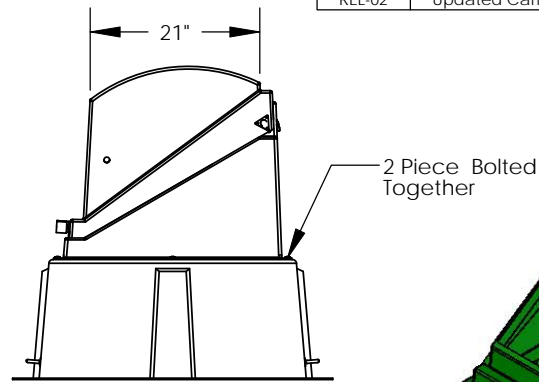
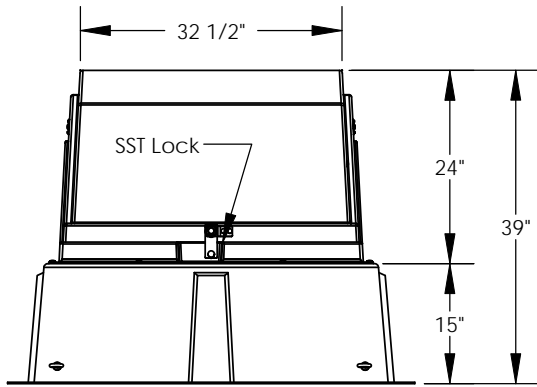


REVISIONS			
REV.	DESCRIPTION	DATE	APPROVED
REL-01		6/25/2008	
REL-02	Updated Cam Arm Assembly & RC Washer Assembly	5/5/2010	R.L.J.



Nordic Fiberglass, Inc.

21415 US Hwy 75 NW, Warren, MN 56762
 www.nordicfiberglass.com
 218-745-5095 ph. --- 218-745-4990 fax

ND-2322239-MG-112-X-X

Customer Name: N/A

DIMENSIONS ARE IN INCHES
 TOLERANCES: ANGLES $\pm 1^\circ$
 FRACTIONAL $\pm 1/2$
 ONE PLACE DECIMAL $\pm .060$
 TWO PLACE DECIMAL $\pm .030$
 THREE PLACE DECIMAL $\pm .015$

MATERIAL

	NAME	DATE
DRAWN	R.L.J.	06/24/08
CHECKED	---	--/--/--

SIZE **A** ITEM ID: 03903.00

REV. **REL-02**

SCALE: 1:32

SHEET 1 OF 1

PROPRIETARY AND CONFIDENTIAL

THE INFORMATION CONTAINED IN THIS DRAWING IS THE SOLE PROPERTY OF NORDIC FIBERGLASS, INC. ANY REPRODUCTION IN PART OR AS A WHOLE WITHOUT THE WRITTEN PERMISSION OF NORDIC FIBERGLASS, INC. IS PROHIBITED.