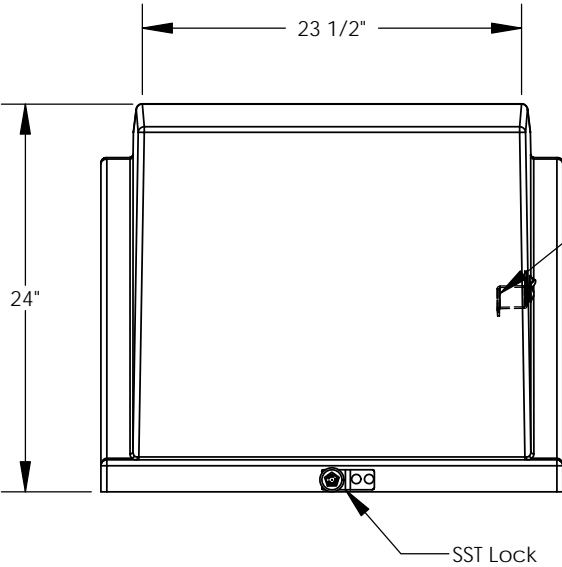
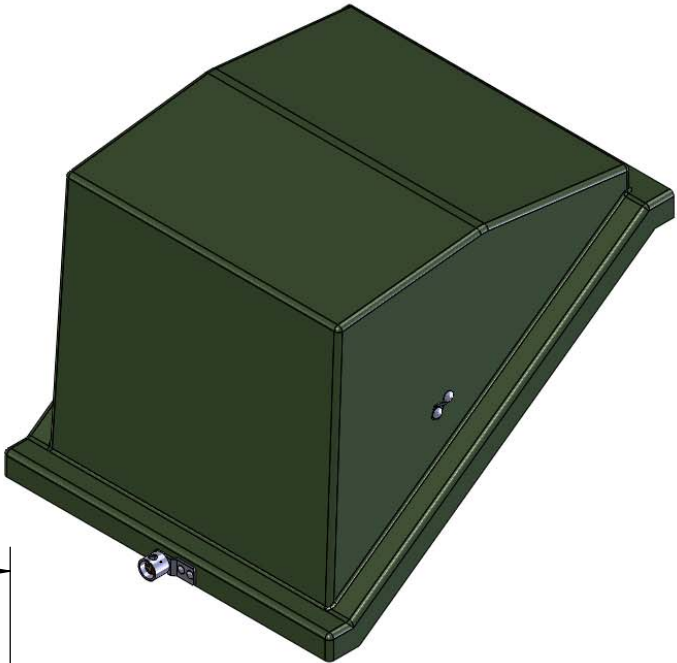
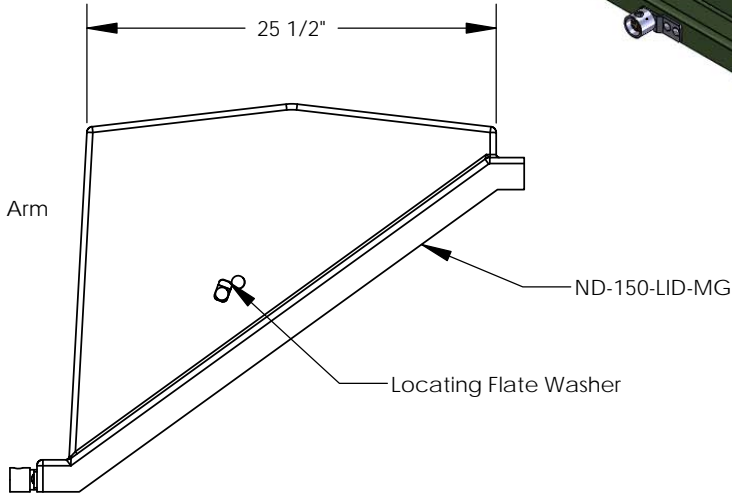


REVISIONS			
REV.	DESCRIPTION	DATE	APPROVED
REL-01		12/20/2006	



SST Cam Arm Bracket



NOTE:  
Includes (5) Rivets, (5) Backup Washers

**Nordic Fiberglass, Inc.**  
21415 US Hwy 75 NW, Warren, MN 56762  
www.nordicfiberglass.com  
218-745-5095 ph. --- 218-745-4990 fax

ND-150-MG-LO		REV.
SIZE	ITEM ID:	REL-01
<b>A</b>	02570.00	
SCALE:1:12	SHEET 1 OF 1	

**PROPRIETARY AND CONFIDENTIAL**  
THE INFORMATION CONTAINED IN THIS DRAWING IS THE SOLE PROPERTY OF NORDIC FIBERGLASS, INC. ANY REPRODUCTION IN PART OR AS A WHOLE WITHOUT THE WRITTEN PERMISSION OF NORDIC FIBERGLASS, INC. IS PROHIBITED.

Customer Name: N/A		
DIMENSIONS ARE IN INCHES		
TOLERANCES: ANGLES ± 1°		
FRACTIONAL ± 1/32		
ONE PLACE DECIMAL ±.060		
TWO PLACE DECIMAL ±.030		
THREE PLACE DECIMAL ±.015		
MATERIAL	NAME	DATE
	P.J.W.	12/20/06
CHECKED	---	--/--/---