

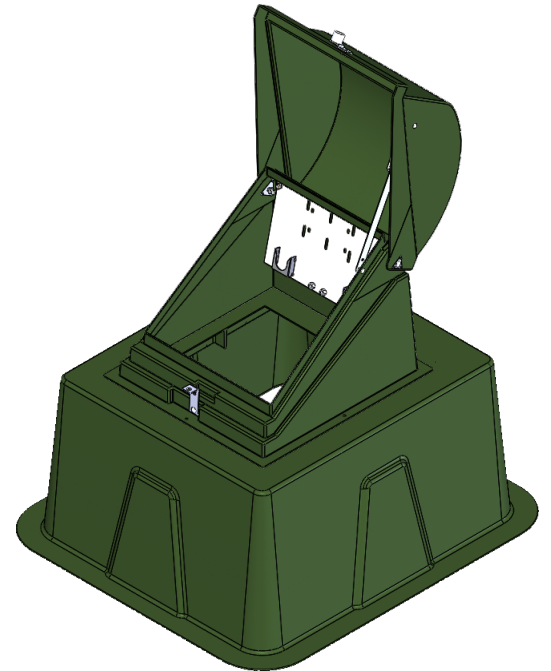
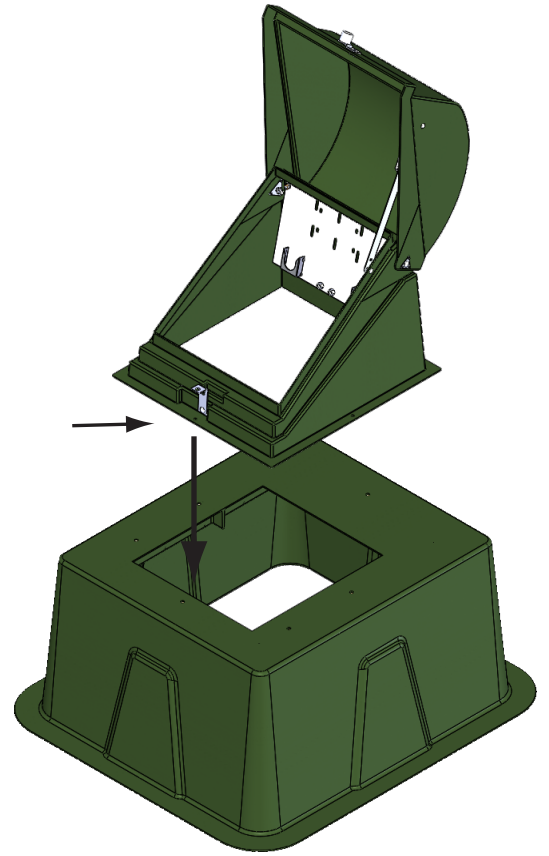
ND-202224-MG-125-X-X
Installation Instructions on
CBP/GS-37-43 Series Box Pads:

ND-202224 Bolt Kit Includes:

- (4) 5/16-18 x 1 1/4" SST Carriage Head Bolts
- (4) 5/16-16 SST Hex Nuts
- (4) 5/16 SST Flat Washers
- (4) 5/16 SST Lock Washers.

Tools & Supplies Required: Drill, 5/16" Drill Bit, 1/2" Deep Socket, Socket Wrench or 1/2" Open End Wrench.

1. Place the ND-2022 with its front lined up with the front of the box pad.
2. Line up the ND-2022 pre-drilled front hole with the box pad's front insert hole.
3. Insert one 5/16" carriage head bolt into the cabinet hole and box pad insert hole, fasten hardware (do not over tighten).
4. Center the ND-2022 from the left and right sides of the box pad.
5. Once the cabinet is centered, mark the three holes through the ND-2022's pre-drilled holes on the left, right, and back sides of the box pad.
6. With a 5/16" drill bit, (supplied by others) drill through the cabinet's three pre-drilled holes through the box pad.
7. Fasten the bolting hardware.



Nordic Fiberglass, Inc.
Quality Products for the Electrical Industry