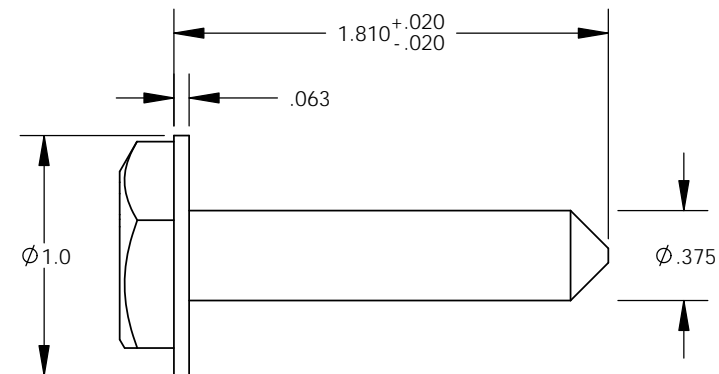
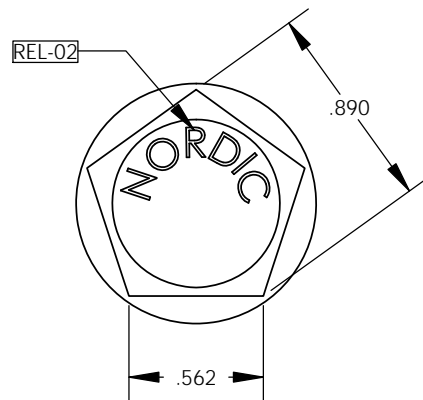
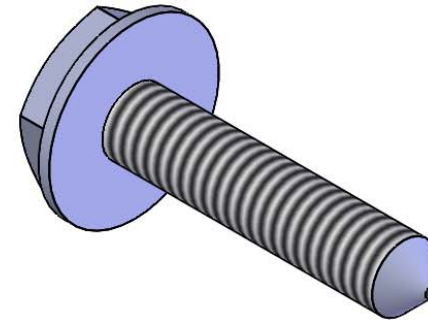


REVISIONS			
REV.	DESCRIPTION	DATE	APPROVED
REL-01		9/25/2007	
REL-02	Added "NORDIC" Logo	3/29/2018	R.L.J.



PROPRIETARY AND CONFIDENTIAL
 THE INFORMATION CONTAINED IN THIS DRAWING IS THE SOLE PROPERTY OF
 NORDIC FIBERGLASS, INC. ANY REPRODUCTION IN PART OR AS A WHOLE
 WITHOUT THE WRITTEN PERMISSION OF NORDIC FIBERGLASS, INC. IS PROHIBITED.

Customer Name: N/A		
DIMENSIONS ARE IN INCHES TOLERANCES: ANGLES $\pm 1^\circ$ FRACTIONAL $\pm 1/2$ ONE PLACE DECIMAL $\pm .060$ TWO PLACE DECIMAL $\pm .030$ THREE PLACE DECIMAL $\pm .015$		MATERIAL 304 Stainless
DRAWN	P.J.W.	DATE 09/25/07
CHECKED	---	---/---/---

Nordic Fiberglass, Inc.		
21415 US Hwy 75 NW, Warren, MN 56762 www.nordicfiberglass.com 218-745-5095 ph. --- 218-745-4990 fax		
PH-7, 3/8-16X1.75 (WASHER & POINT)		
SIZE A	ITEM ID: HAPE0002	REV. REL-02
SCALE:1:1		SHEET 1 OF 1