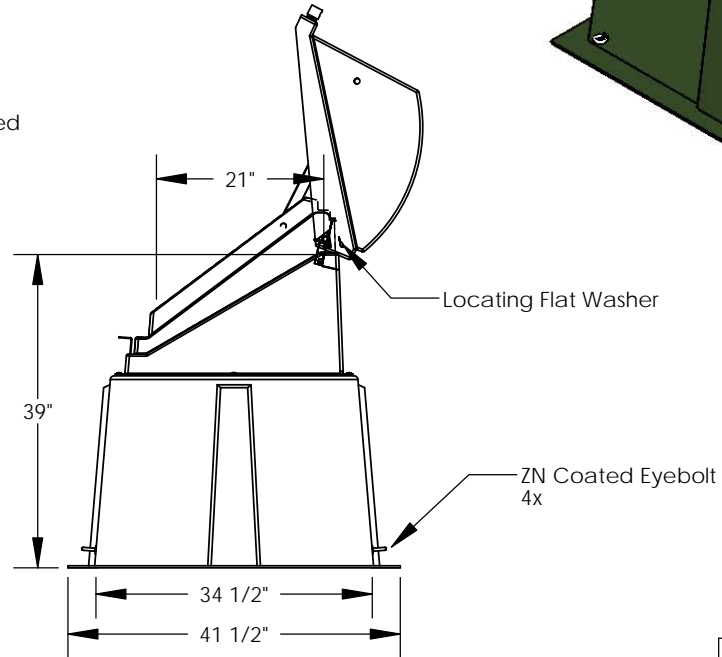
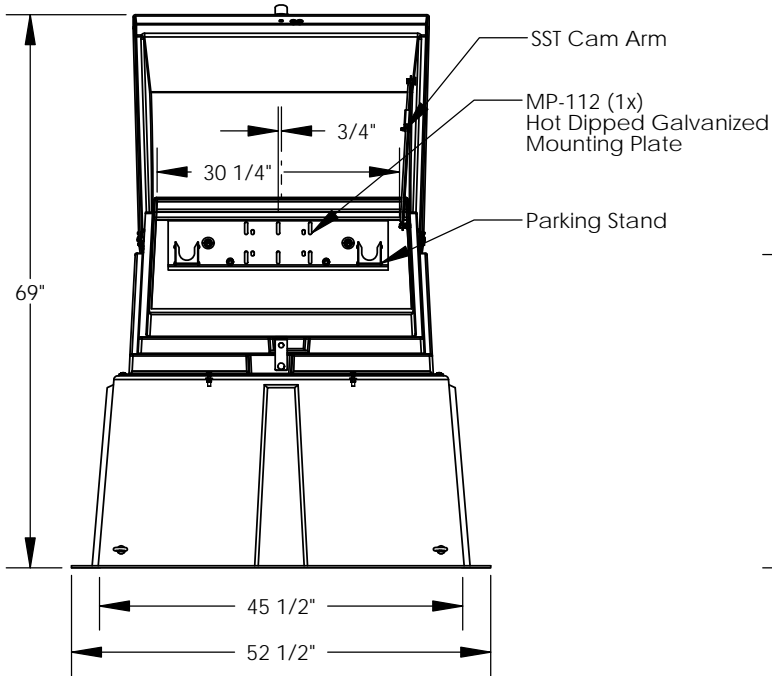
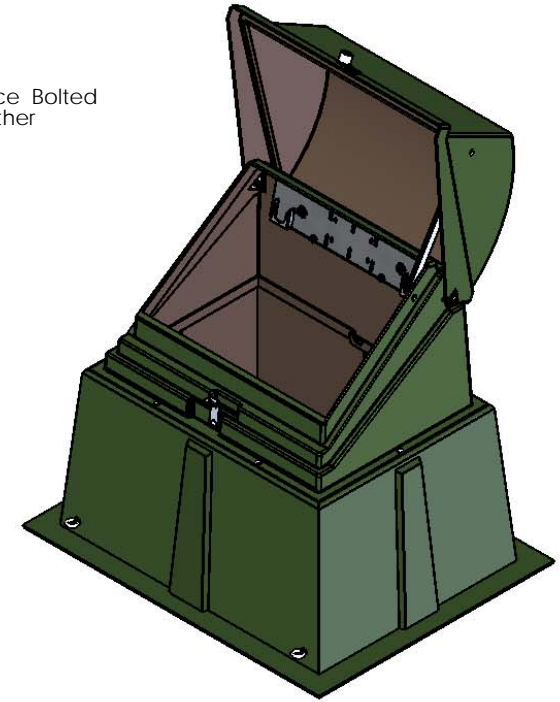
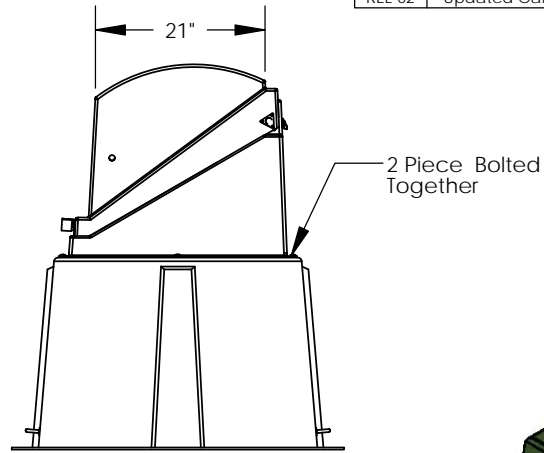
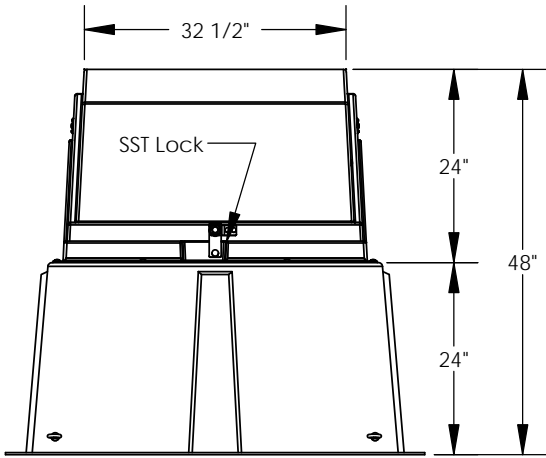


REVISIONS			
REV.	DESCRIPTION	DATE	APPROVED
REL-01		6/25/2008	
REL-02	Updated Cam Arm Assembly & RC Washer Assembly	5/5/2010	R.L.J.



Nordic Fiberglass, Inc.

21415 US Hwy 75 NW, Warren, MN 56762
 www.nordicfiberglass.com
 218-745-5095 ph. --- 218-745-4990 fax

ND-2322248-MG-112-X-X

Customer Name: N/A		
DIMENSIONS ARE IN INCHES TOLERANCES: ANGLES ± 1° FRACTIONAL ± 1/2 ONE PLACE DECIMAL ±.060 TWO PLACE DECIMAL ±.030 THREE PLACE DECIMAL ±.015		
MATERIAL		
	NAME	DATE
DRAWN	R.L.J.	06/24/08
CHECKED	---	--/--

SIZE	ITEM ID:	REV.
A	03905.00	REL-02
SCALE:1:32		SHEET 1 OF 1

PROPRIETARY AND CONFIDENTIAL
 THE INFORMATION CONTAINED IN THIS DRAWING IS THE SOLE PROPERTY OF NORDIC FIBERGLASS, INC. ANY REPRODUCTION IN PART OR AS A WHOLE WITHOUT THE WRITTEN PERMISSION OF NORDIC FIBERGLASS, INC. IS PROHIBITED.