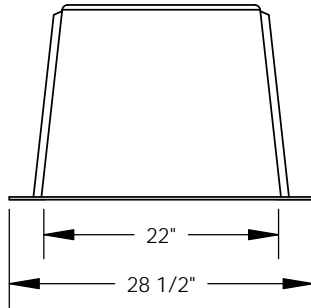
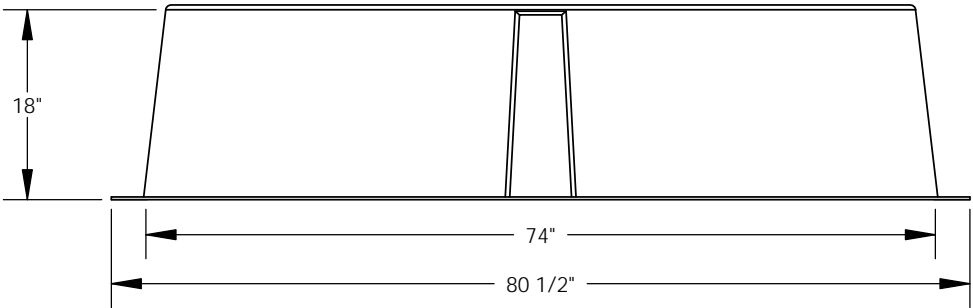
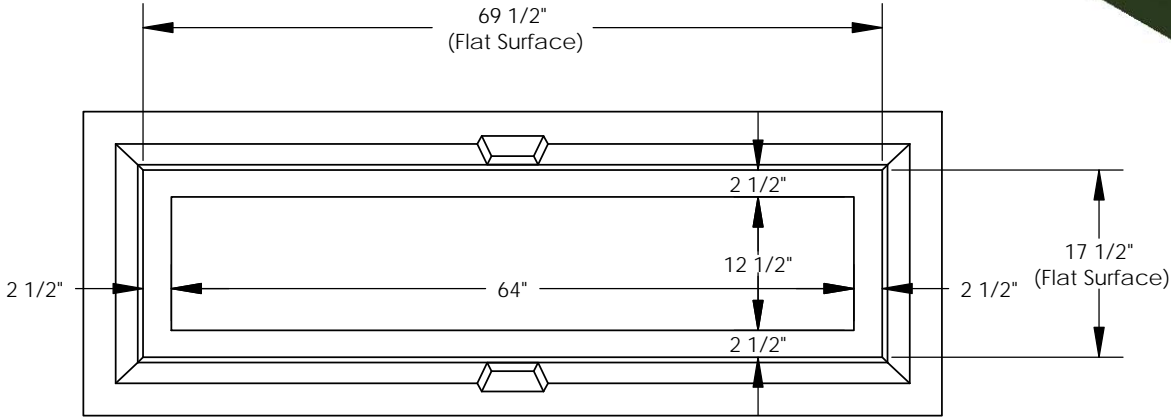
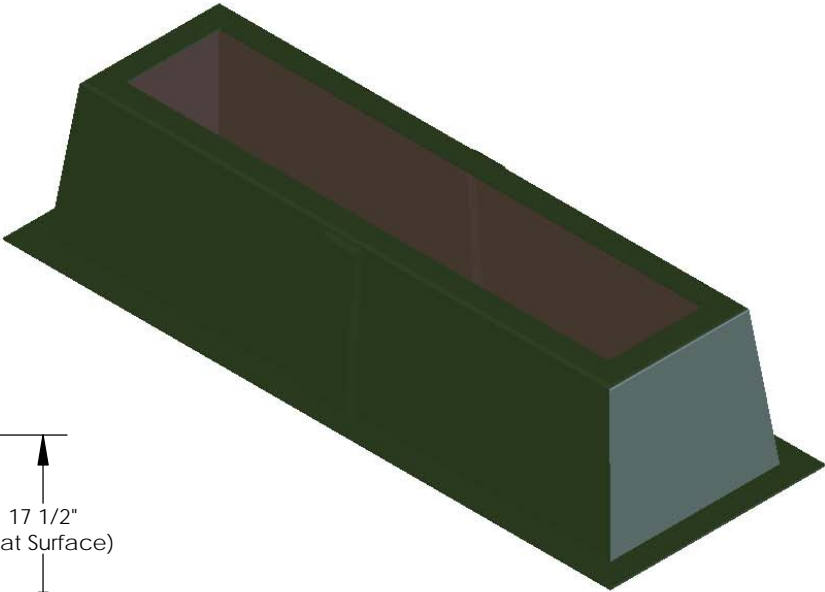


REVISIONS			
REV.	DESCRIPTION	DATE	APPROVED
REL-01		7/6/2007	



NOTE:
Includes (6) 3/8x1.5 SST Hex Bolts,
(6) 3/8 SST Hex Nuts, (12) 3/8 SST Flat
Washers, (6) 1/2 SST Flat Washers

Nordic Fiberglass, Inc.

21415 US Hwy 75 NW, Warren, MN 56762
www.nordicfiberglass.com
218-745-5095 ph. --- 218-745-4990 fax

GS-70-18-18-MG-64x12.5

PROPRIETARY AND CONFIDENTIAL
THE INFORMATION CONTAINED IN THIS DRAWING IS THE SOLE PROPERTY OF
NORDIC FIBERGLASS, INC. ANY REPRODUCTION IN PART OR AS A WHOLE
WITHOUT THE WRITTEN PERMISSION OF NORDIC FIBERGLASS, INC. IS PROHIBITED.

Customer Name: N/A		
DIMENSIONS ARE IN INCHES		
TOLERANCES: ANGLES $\pm 1^\circ$		
FRACTIONAL $\pm 1/2$		
ONE PLACE DECIMAL $\pm .060$		
TWO PLACE DECIMAL $\pm .030$		
THREE PLACE DECIMAL $\pm .015$		
MATERIAL		
	NAME	DATE
DRAWN	P.J.W.	07/06/07
CHECKED	---	--/--

SIZE	ITEM ID:	REV.
A	01640.00	REL-01
SCALE: 1:18	SHEET 1 OF 1	