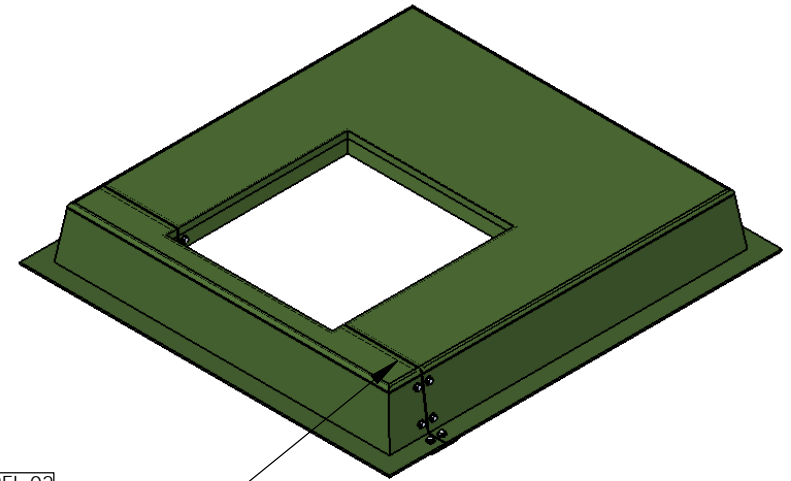
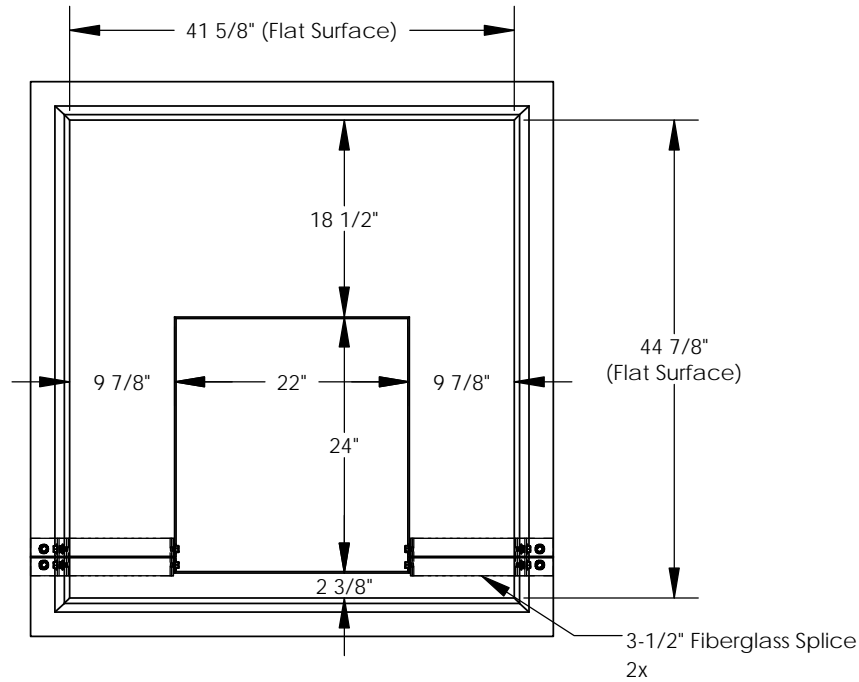
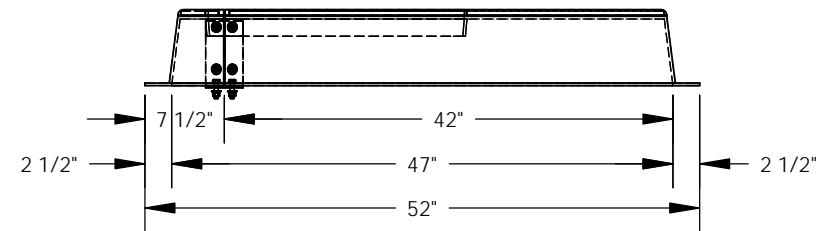
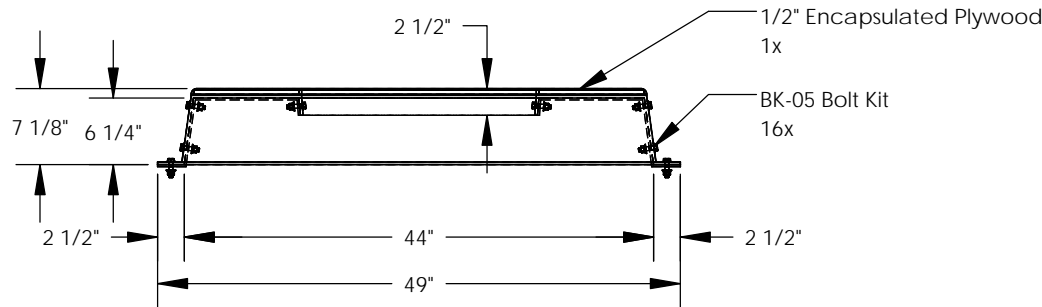


REVISIONS			
REV.	DESCRIPTION	DATE	APPROVED
REL-01		8/30/2007	
REL-02	Replaced Removablwe Panel w/ Cut-Out	1/9/2020	R.L.J.



REL-02
2 Piece Cut-Out



- BK-05 Bolt Kit Includes:
 (1) 3/8-16 x 1.5 SST Hex Bolt
 (1) 3/8-16 SST Hex Nut
 (2) 3/8 SST Flat Washers
 (1) 3/8 SST Lock Washer

PROPRIETARY AND CONFIDENTIAL
 THE INFORMATION CONTAINED IN THIS DRAWING IS THE SOLE PROPERTY OF NORDIC FIBERGLASS, INC. ANY REPRODUCTION IN PART OR AS A WHOLE WITHOUT THE WRITTEN PERMISSION OF NORDIC FIBERGLASS, INC. IS PROHIBITED.

Customer Name: N/A		
DIMENSIONS ARE IN INCHES		
TOLERANCES: ANGLES ± 1°		
FRACTIONAL ± 1/2		
ONE PLACE DECIMAL ± .060		
TWO PLACE DECIMAL ± .030		
THREE PLACE DECIMAL ± .015		
MATERIAL	NAME	DATE
	P.J.W.	08/30/07
CHECKED	---	--/--/--

Nordic Fiberglass, Inc.
 21415 US Hwy 75 NW, Warren, MN 56762
 www.nordicfiberglass.com
 218-745-5095 ph. --- 218-745-4990 fax

RTP-42.5-45.5-7-MG-22x24

SIZE	ITEM ID:	REV.
A	03550.00	REL-02
SCALE: 1:18	SHEET 1 OF 1	